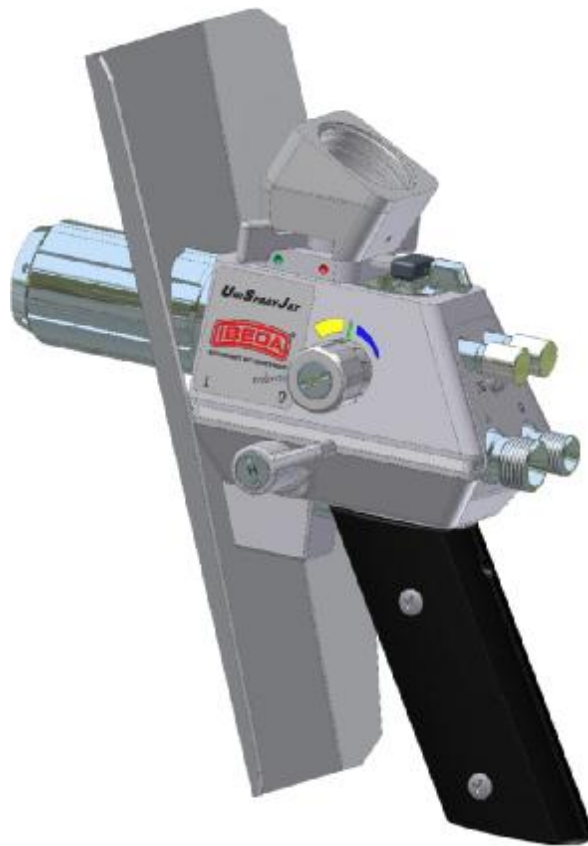


# **UNISPRAYJET**



## **UNISPRAYJET** *Flame spraying gun*



# UNISPRAYJET

## Robust and very efficient powder flame spraying gun



Flame spraying gun for thermal spraying with powder using oxy-fuel gas flame. Function and safety are guaranteed through a gas mixture system using the injector principle.

Following fuel gases can be used acetylene, propane, hydrogen in combination with oxygen, as well as compressed air used for cooling purposes.

The **UNISPRAYJET** is designed for the universal application where wear and corrosive protection have to be considered

### Highlights:

§ Integrated powder transport system

§ With the integrated gate valve many types of transport gases can be used

§ Overhead position through removable and 180° changeable powder connection

§ Just one powder connector with adjustable slider for different capacities

§ Lever to turn gas on and off without changing the settings

§ Model for the connection of an external separate powder feeder (**UNISPRAYJET SE**) or two external powder feeders (**UNISPRAYJET DUAL**)

### Areas of use/application:

**Metal powder coating for the hot and cold spraying techniques with self flowing**  
or metal and oxidised ceramic powders

#### **Corrosion resistant coatings**

On the basis of low melting metal flame spraying powder (for example zinc and aluminium)

#### **Plastic coatings**

Many different types of thermo-Plastics and epoxy resins

**Because of its modular-building-system, the standard gun **UNISPRAYJET** can be used for many applications.**

§ Accessories available on request

§ IBEDA safety devices are also available



## **IBEDA UniSprayJet**



<b>Part no.</b>	<b>Description</b>
<b>5000-0015</b>	<b>UniSprayJet kit for metal flame spraying</b>
	<b>or</b>
<b>5000-0016</b>	<b>UniSprayJet SE kit for metal flame spraying</b>
	Standard accessories list
5000-0002	UNI SPRAY JET G1/4RH – 3/8 LH
	<b>or</b>
5000-0003	Uni Spray Jet SE G1/4RH – 3/8 LH to use with an external powder feeder (both guns are also available with 9/16 connections)
1014-0014	USJ-N-A spray nozzle (built in)
1014-0001	P/K ring nozzle(built in)
1014-0018	USJ HT/S(A) nozzle
1383-0007	Lathe carrier support attachment
1383-0006	Heat shield with clip-on shoe
7730-0007	Nozzle cleaning needle set
7730-0002	Adjustable wrench
7730-0001	Open ended fork wrench 24 mm
7730-0005	Brass wire brush
7730-0006	Gas lighter
7730-0008	Protective welding goggles
7730-0004	Tool bag
7730-0003	Allen key 4mm
7730-0014	Allen key 3mm
7730-0011	Allen key 2mm
1014-0051	Fan nozzle - F -
1014-0004	Pressure nozzle - S - 0,3 mm
1014-0003	Pressure nozzle - N - 0,45 mm(built in)
1010-0009	Blindring B/R
7440-0394	O-ring 29,87 X 1,78
7440-0010	O-ring 5 X 1,5
	Instruction manual



CERTIFIED SAFETY



**Part  
Number      Description**

**Modification parts for zinc powder**

- 1010-0009 Blocking nozzle-B/R (part of the kit)
- 1401-0001 Manual slide valve for compressed air
- 1014-0015 LT-A nozzle (**Acetylene**)

**alternative**      for example zinc, plastic and other low temperature spray material

- 1014-0016 LT-P nozzle (**Propane**)  
for plastic and for thermoplastic etc.

**Modification parts for plastic powder**

- 1010-0009 Blocking nozzle –B/R- (part of the kit)
- 1401-0001 Manual slide valve for compressed air
- 1014-0015 LT-A nozzle (**Acetylene**)

**alternative**      for example zinc, plastic and other low temperature spray material

- 1014-0016 LT-P nozzle (**Propane**)  
for plastic, thermoplastic, etc.
- 1067-0009 Powder module receptacle black

**Modification parts for ceramic powder**

- 1014-0051 Fan nozzle –F- (part of the kit)
- 1401-0001 Manual slide valve for compressed air
- 1014-0004 Pressure nozzle S (part of the kit)
- 1014-0018 HT/S-A high temperature nozzle (part of the kit)

**options for ceramic powders**

- 1014-0068** Gas flow max- red max W/ wrench  
Description
- 1014-0012 RED MAX air jet assembly
- 1014-0036 2pcs. Cooling nozzle
- 7730-0013 Hook wrench DIN 18108
- 1383-0018 Pneumatic vibrator for powder cartridge 250ccm



**Accessories, Spare Parts UniSprayJet**

<b>Part Number</b>	<b>Description</b>
1383-0001	Refillable powder cartridge
1067-0001	Powder module head black
1014-0013	R/F N-A spray nozzle
0181-0182	Hose Package A-O/2 5m G3/8LH-G1/4RH
7640-0617	Compressed air hose 1Mpa-5x3 G3/8RH-G1/8RH 6,5m
0069-4002	D1 Coupling pin -F G3/8LH -red
0069-4006	D1 Coupling pin -O G1/4RH -blue
3000-0074	Coupling DKG G3/8LH Fuel gas EN561
3000-0068	Coupling DKG G1/4RH Oxygen EN561
3000-0064	Flashback arrestor DGN G3/8LH EN730
3000-0065	Flashback arrestor DGN G1/4RH EN730
6454-0068	Cylinder regulator Acetylene 1,5bar ISO2503
6454-0065	Cylinder regulator Oxygen 200 / 10 bar
0005-0246	Swivel nut EN560 G3/8LH SW19 B12,5
0005-0243	Swivel nut EN560 G1/4RH SW17 B9,5
0005-0501	Swivel nut EN560 G1/8RH SW12 B7,2
0006-0381	Hose pin EN560 G3/8X9mm
0006-0381	Hose pin EN560 G1/4X6mm
0006-0549	Hose pin EN560 G1/8X4mm



1383-0001 Refillable powder cartridge