

MINISPRAYJET



MINISPRAYJET Flame spraying gun



CERTIFIED SAFETY

MINISPRAYJET

A compact and light weight flame spraying gun



Flame spraying gun for thermal spraying with powder using oxy-fuel gas flame. Function and safety are guaranteed through a gas mixture system using the injector principle.

Following fuel gases can be used acetylene, propane, hydrogen in combination with oxygen as well as compressed air used for cooling purposes.

The *MiniSPRAYJET* is designed for the universal application where wear and corrosive protection have to be considered

Highlights:

- Integrated powder transport system
- With the integrated gate valve many types of transport gases can be used
- Overhead position through removable and 180° changeable powder connection
- Just one powder connector with adjustable slider for different capacities

Areas of use/application:

Metal powder coating

for the hot and cold spraying techniques with self flowing or metal and oxidized ceramic powders

Corrosion resistant coatings

On the basis of low melting metal flame spraying powder (for example zinc and aluminium)

Plastic coatings

Many different types of thermo-plastics and epoxy material

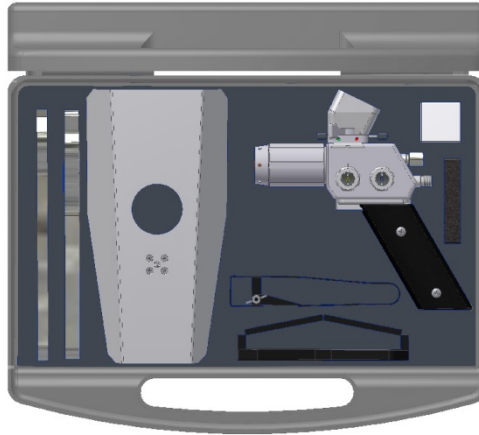
Because of its modular-building-system, the standard gun *MINISPRAYJET* can be used for many applications

- Accessories available on request
- IBEDA safety devices are also available



CERTIFIED SAFETY

IBEDA *MINI*SPRAYJET



Part Number	Description
5000-0014	Mini Spray Jet kit with accessories
5000-0001	Mini Spray Jet G1/8RH – G1/8LH
1014-0013	R/F N-A spray nozzle (built in)
1014-0001	P/K ring nozzle (built in)
1383-0005	MSJ-Lathe carrier support attachment
1383-0004	Heat shield with clip-on shoe
7730-0007	Nozzle cleaning needle set
7730-0002	Adjustable wrench
7730-0001	Open ended fork wrench 24 mm
7730-0005	Brass wire brush
7730-0006	Gas lighter
7730-0008	Protective welding goggles
7730-0004	Tool bag
7730-0003	Allen key 4 mm
1014-0003	Pressure nozzle – N – 0,45 mm (built in)
7440-0394	O-ring 29,87 X 1,78
7440-0010	O-ring 5 x 1,5 FPM75
7440-0383	4 x O-ring 2,5 x 1,5

Instruction manual Mini Spray Jet



CERTIFIED SAFETY

Part No.

Description

Modification parts for zinc powder

- 1010-0009 Blocking nozzle-B/R
- 1401-0001 Manual slide valve for compressed air
- 1014-0015 LT-A nozzle (**Acetylene**)

alternative for example zinc, plastic and other low temperature spray material

- 1014-0016 LT-P nozzle (**Propane**)
for plastic and for thermoplastic etc.

Modification parts for plastic powder

- 1010-0009 Blocking nozzle –B/R-
- 1401-0001 Manual slide valve for compressed air
- 1014-0015 LT-A nozzle (**Acetylene**)

alternative for example zinc, plastic and other low temperature spray material

- 1014-0016 LT-P nozzle (**Propane**)
for plastic, thermoplastic, etc.

- 1067-0008 Powder module receptacle black

Modification parts for ceramic powder

- 1014-0051 Fan nozzle –F-
- 1401-0001 Manual slide valve for compressed air
- 1014-0004 Pressure nozzle S
- 1014-0018 HT/S-A high temperature nozzle



CERTIFIED SAFETY

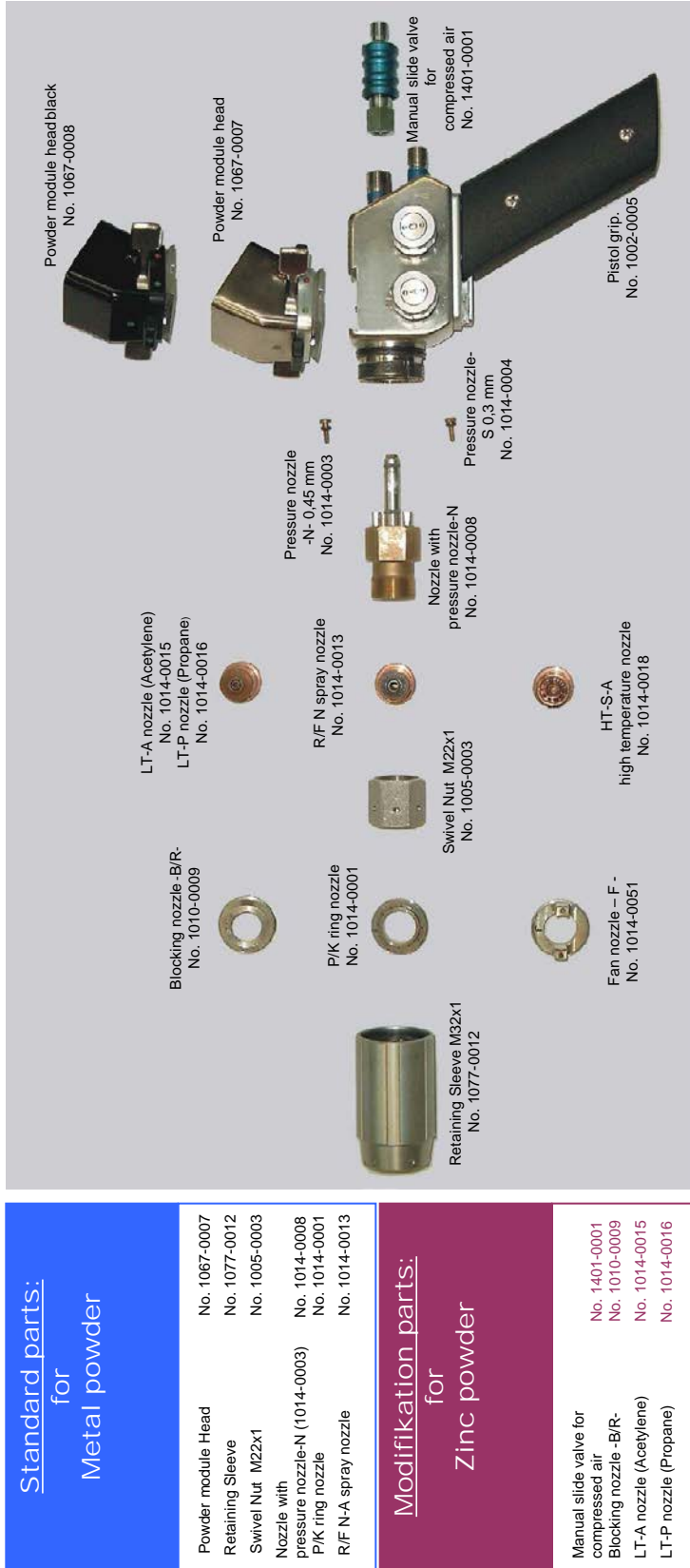
Part Number	Accessories, Spare Parts Mini Spray Jet Description
1383-0001	Refillable powder cartridge
1067-0007	Powder module head black
1014-0013	R/F N-A spray nozzle
0181-0182	Hose Package A-O/2 5m G3/8LH-G1/4RH
7640-0617	Compressed air hose Mpa-4x3,5 G3/8RH-G1/8RH 6,5m
0069-4026	D1 Coupling pin -F G1/8LH -red
0069-4027	D1 Coupling pin -O G1/8RH -blue
3000-0074	Coupling DKG G3/8LH Fuel gas EN561
3000-0068	Coupling DKG G1/4RH Oxygen EN561
3000-0064	Flashback arrestor DGN G3/8LH EN730
3000-0065	Flashback arrestor DGN G1/4RH EN730
6454-0068	Cylinder regulator Acetylene 1,5bar ISO2503
6454-0065	Cylinder regulator Oxygen 200 / 10 bar
0005-0500	Swivel nut EN560 G1/8LH SW12 B7,2
0005-0501	Swivel nut EN560 G1/8RH SW12 B7,2
0006-0549	Hose pin EN560 G1/8X4mm



1383-0001 Refillable powder cartridge



Spare-/modification parts **MINISPRAYJET**



Standard parts:
for
Metal powder

No. 1067-0007
No. 1077-0012
No. 1005-0003
No. 1014-0008
No. 1014-0001
No. 1014-0013

Modifikation parts:
for
Zinc powder

No. 1401-0001
No. 1010-0009
No. 1014-0015
No. 1014-0016

Modifikation parts:
for
Ceramic powder

No. 1401-0001
No. 1014-0051
No. 1014-0004
No. 1014-0018

Modifikation parts:
for
Plastic powder

No. 1067-0008
No. 1401-0001
No. 1010-0009
No. 1014-0015
No. 1014-0016

Powder module head black
Manual slide valve for compressed air
Blocking nozzle -B/R-
LT-A nozzle (Acetylene)
LT-P nozzle (Propane)



CERTIFIED SAFETY